



motoalliance

23001 Industrial Blvd, Rogers, MN 55374 / 1-866-527-7637
www.motoalliance.com

MOTOALLIANCE WINCH MOUNT

MA11903

2002-2008 Yamaha Grizzly 660

Thank you for purchasing our MotoAlliance winch mount. You now own a premium custom winch mount allowing you to use your winch with your ATV / SxS. Please note the following instructions and heed all warnings.

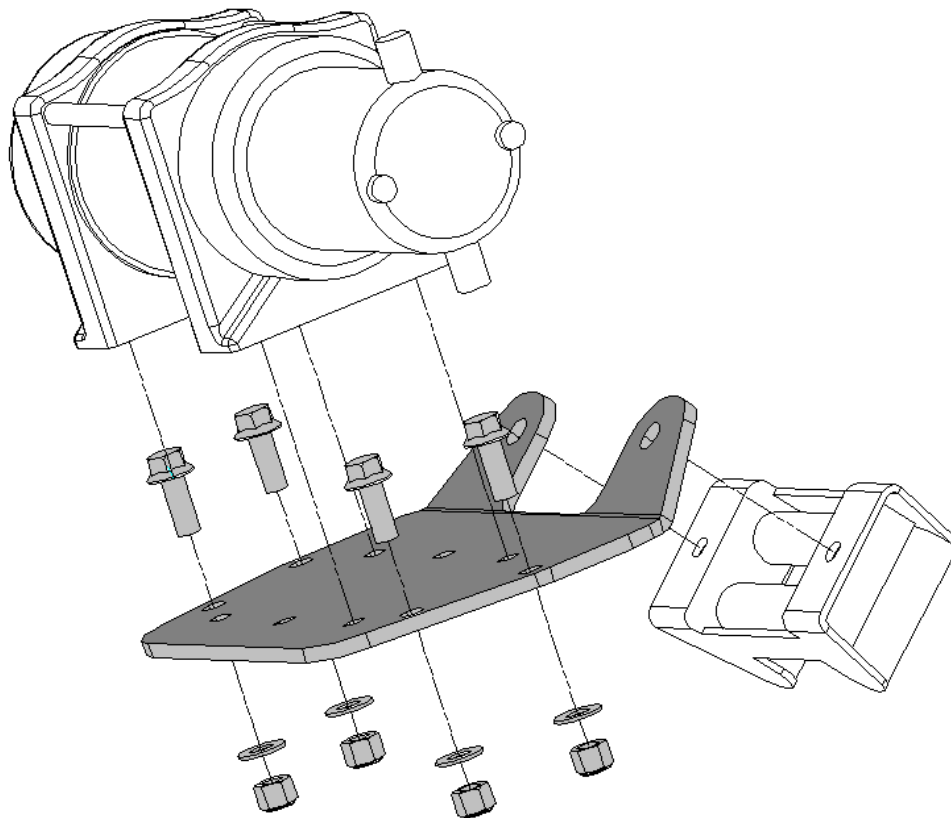
- Please use common sense when operating your ATV / SxS.
- Read your Winch Operator's Manual and all other Operator Manual's, including warning labels, before operating your ATV / SxS.
- Be observant of moving parts causing entanglement, use extreme caution!

SEVERE INJURY OR DEATH MAY RESULT IF YOU ARE NEGLIGENT.

Please verify that all hardware and parts are included in your package.

Kit Content:

Item Number	Description	Quantity
1	Winch Mount	1
2	3/8" – 16 x 1.00" HHFL Bolts	4
3	3/8" Nylock Nuts	4
4	3/8" Flat Washers	4



Exploded View

1. Begin by removing bolts [A] (Figure 1) on the bottom plastic skid plate and flexing the plastic down to access the bottom area of the winch mounting location [B]. (Figure 2)

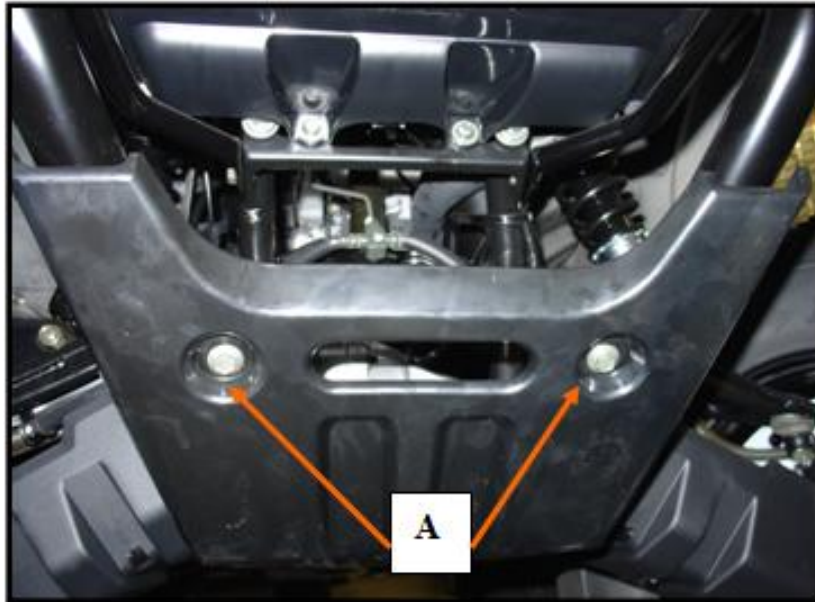


Figure 1

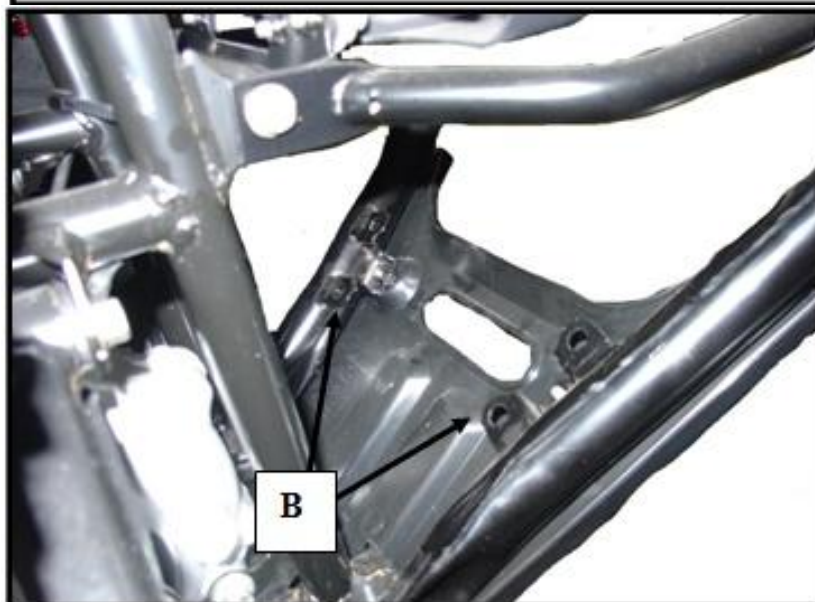
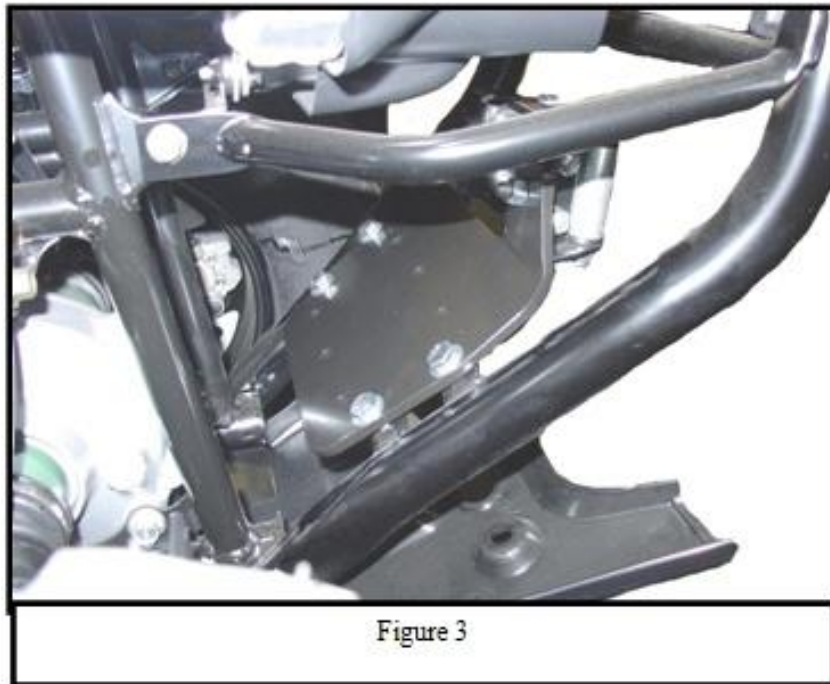


Figure 2

2. Place mount plate into location as shown in Figure 3 and assemble mount to frame using the supplied 3/8" Hardware as shown in the Exploded View.



3. Assemble hawse or roller fairlead and winch to mount plate using hardware that was supplied with your winch and fairlead.
4. Re-assemble the two bolts from Step 1 [A]. Refer to Figure 1 for additional views.
5. Using the instructions provided with your winch, wire accordingly.